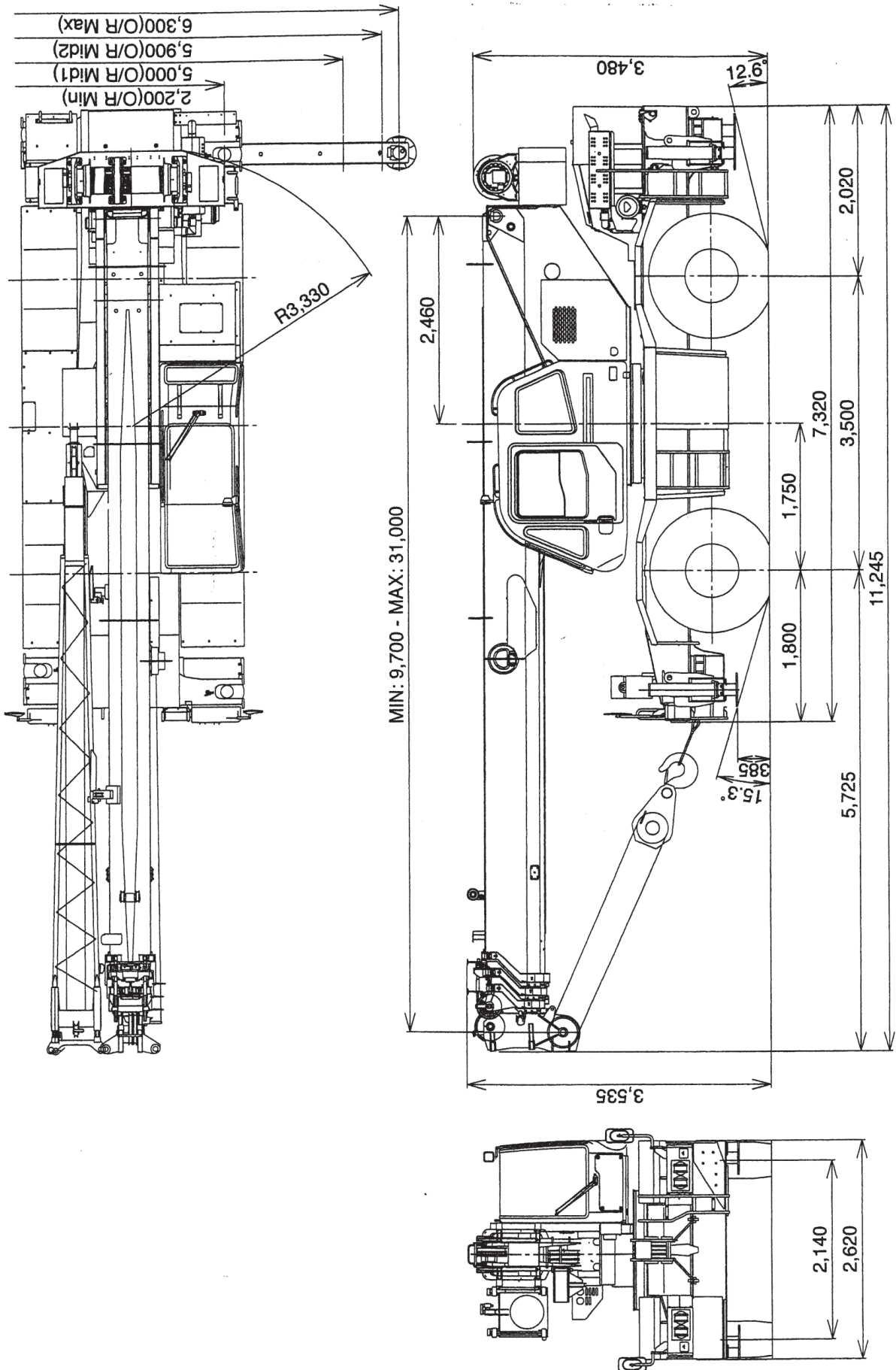


DIMENSIONER



Lyftkapacitet

MED STÖDBEN kg

Fullt utdragna stödben (6,3m)

360° Rotation

B \ A	9.7		16.8		24.4		31.0	
	C		C		C		C	
3.0	60.6	30,000	74.4	19,200	79.7	12,500		
3.5	57.0	27,200	72.5	19,200	78.5	12,500		
4.0	53.1	23,400	70.9	19,200	77.5	12,500	80.8	8,400
4.5	49.2	21,300	68.9	18,300	76.3	12,500	80.0	8,400
5.0	44.7	19,600	67.1	17,000	75.0	12,500	79.1	8,400
5.5	40.3	18,100	65.1	15,800	74.0	12,500	78.3	8,400
6.0	34.9	16,600	63.3	14,700	72.8	12,500	77.3	8,400
6.5	28.7	15,200	61.4	13,600	71.5	11,700	76.6	8,400
7.0	18.3	14,100	59.4	12,900	70.3	11,000	75.6	8,100
8.0			54.9	10,900	67.7	9,750	73.7	7,500
9.0			50.5	9,000	65.0	8,750	71.8	6,800
10.0			45.8	7,050	62.4	7,900	69.8	6,200
11.0			40.3	5,800	59.5	6,600	67.6	5,800
12.0			34.3	4,800	56.5	5,600	65.6	5,400
13.0			27.0	4,050	53.6	4,750	63.5	5,000
14.0			15.7	3,400	50.4	4,150	61.3	4,400
15.0					47.0	3,600	59.0	3,850
16.0					43.4	3,200	56.6	3,450
17.0					39.6	2,750	54.2	3,050
18.0					35.5	2,450	51.8	2,650
19.0					30.7	2,050	49.2	2,400
20.0					25.6	1,800	46.6	2,100
22.0							40.8	1,700
24.0							34.4	1,300
26.0							26.2	1,000
28.0							13.4	500
D	0°							

Unit: kg

Fullt utdragna stödben (6,3m) -360° Rotation-

C \ A	9.7		16.8		24.4		31.0	
	B		B		B		B	
0°	7.2	13,400	14.3	3,200	21.9	1,200	28.5	500

A :Bomlängd (m)

B : Lyfttradie (m)

C : Lyftvinkel (°)

D :Minsta bomvinkel (°)

Lyftkapacitet

MED STÖDBEN

kg

Fullt utdragna stödben (6,3m) 360° Rotation													
C	31.0m Boom + 7.2m Jib						C	31.0m Boom + 12.8m Jib					
	5° offset		25° offset		45° offset			5° offset		25° offset		45° offset	
	R	W	R	W	R	W		R	W	R	W	R	W
80°	5.9	3,500	8.1	2,400	9.8	1,700	80°	7.7	2,200	11.7	1,200	14.6	800
77.5°	7.7	3,500	9.8	2,300	11.4	1,650	77.5°	9.8	2,150	13.5	1,150	16.3	780
75°	9.4	3,500	11.4	2,200	12.9	1,600	75°	11.8	2,100	15.3	1,100	17.9	750
72.5°	11.2	3,230	13.0	2,100	14.4	1,550	72.5°	13.6	1,930	17.1	1,050	19.4	730
70°	12.7	2,950	14.6	2,000	15.8	1,500	70°	15.5	1,750	18.8	1,000	21.0	700
67.5°	14.3	2,750	16.1	1,930	17.2	1,450	67.5°	17.2	1,630	20.5	950	22.5	680
65°	15.8	2,550	17.5	1,850	18.6	1,400	65°	18.9	1,500	22.0	900	23.9	650
62.5°	17.3	2,350	19.0	1,800	19.9	1,380	62.5°	20.6	1,400	23.6	880	25.2	650
60°	18.7	2,150	20.4	1,750	21.2	1,350	60°	22.3	1,300	25.1	850	26.6	650
57.5°	20.0	1,950	21.6	1,650	22.4	1,330	57.5°	23.8	1,230	26.4	800	27.8	650
55°	21.4	1,750	22.9	1,550	23.6	1,300	55°	25.4	1,150	27.9	750	29.0	650
52.5°	22.6	1,550	24.0	1,380	24.7	1,230	52.5°	26.8	1,100	29.2	730	30.2	630
50°	23.9	1,350	25.2	1,200	25.7	1,150	50°	28.3	1,050	30.5	700	31.4	600
47.5°	25.0	1,180	26.3	1,100	26.7	1,100	47.5°	29.6	900	31.7	680	32.5	600
45°	26.0	1,000	27.3	1,000	27.7	1,000	45°	30.8	750	32.8	650	33.5	600
42.5°	27.1	900	28.2	900			42.5°	32.0	680	33.8	600		
40°	28.1	800	29.1	800			40°	33.1	600	34.8	550		
37.5°	29.0	700	30.0	700			37.5°	34.2	530	35.7	480		
35°	30.0	600	30.8	600			35°	35.2	450	36.5	400		
32.5°	30.8	530	31.5	530			32.5°	36.1	400				
30°	31.6	450	32.2	450			30°	37.0	350				
27.5°	32.3	400	32.8	380									
25°	33.0	350	33.4	300									

C : Lyftvinkel (°)

R : Lyfttradie (m)

W : Lyftkapacitet

Hus lyft med två stycken 30 tons kranar



Transport av huslyft

